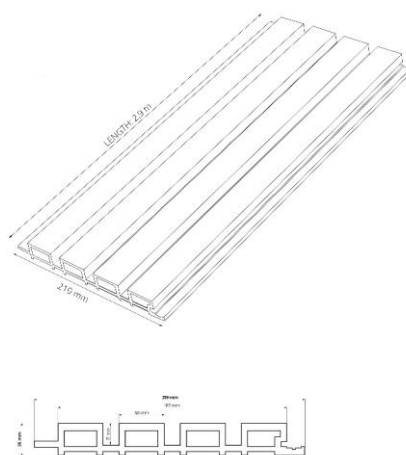


Premium / Premium 3D Slatted Cladding Board

| | |
|---------------------|---|
| Composition: | <ul style="list-style-type: none"> • 55% – wood flour • 35% – high-density polyethylene (HDPE) • 10% – anti-UV additives, stabilizers, colourants |
| Dimensions: | <ul style="list-style-type: none"> • thickness – 26 mm (± 0,5 mm) • width – 219 mm (± 3,0 mm) • length – 2900 mm • weight – 3 kg/m (-5% / +10%) |
| Properties: | <ul style="list-style-type: none"> • use in temperatures -30 °C/+60 °C1) • Fire resistance class: E - fire insulation (according to PN-EN 13501 standard) • low water absorption <0.7% (frost-resistant) • high resistance to UV • high resistance to cracking (excluding cracks caused by shock load) • high resistance to rotting and decay resulting from the direct action of fungi and bacteria • high resistance to damage caused by the direct impact of insects |
| Usage: | <ul style="list-style-type: none"> • facades • wall development • garden architecture |

PREMIUM SLATTED
CLADDING BOARD
219 mm x 26 mm



Available colors:



EcoTravers cladding boards should not be installed in closed, damp and unventilated rooms, as well as in places with rapid and significant temperature changes (e.g. sauna).

Before installation read the instructions on www.liderwood.com.

During the first exploitation period the composite boards age under the influence of external conditions. The color stabilizes after a few months, reaching its final saturation. EcoTravers composite products may deviate from the available descriptions and samples in terms of natural color or structure differences. The boards may be subject to slight deformation (~1.5%).

Available documents:

- Guarantee certificate
- Installation instructions
- Declaration of performance 13/03/2024 LD
- Sanitary certificate B-BK-602110056/20 dated 12.03.2020
- Fire Resistance Test conducted by ITB
- ITB Research Report no. LZP01-02687/23/Z00NZP